

MaxLift 1100-E[⚡]

All electric bin lifter.



Electric-Powered: Our bin lifter runs entirely on electricity, reducing hydraulic oil spills and promoting a cleaner environment. Embrace the power of green technology!



Smooth and Efficient: With cutting-edge engineering, our lifter effortlessly raises and empties bins, streamlining the waste collection processes. Say goodbye to noisy problematic hydraulics and hello to efficiency!



Safety First: Our lifter prioritizes safety with all of the required Australian safety standards making it fully compliant. Rest assured knowing that your team is protected during every lift.



 www.glamworn.com.au

 0422307127

MaxLift

www.glamworn.com.au

MaxLift 1100-E ⚡[©]

All electric bin lifter.

**robust bin
cradle**

**robust fully
welded steel
frame.**

**Coded magnet
gate switch**

**Lightweight
door**

**choice of
permanent
mounting or
robust neoprene
castors**

**Lightweight
aluminium
saftey guarding**

**Easy to use
control pannel**

**All chain guides
& sprockets are
fully rollerised &
Serviceable.**

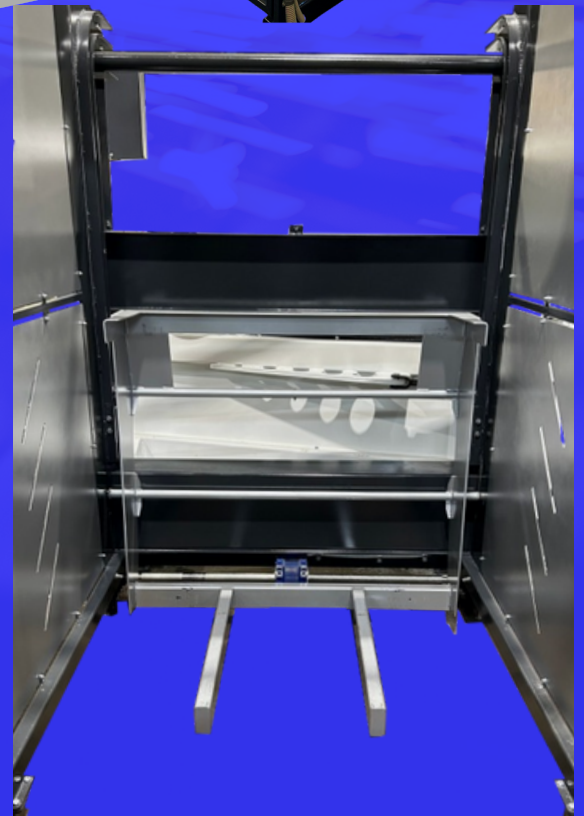




MaxLift 1100-E ⚡[©]

All electric bin lifter

Tech Specs



Model	1100E
lift capacity	SWL 400KG
Footprint	1.6m x 1.8m
Operating Footprint	1630mm x 3166mm
Lift Height Capacity	Limitless
Power Options	240 volt - Three Phase - DC - Solar

Contact Us

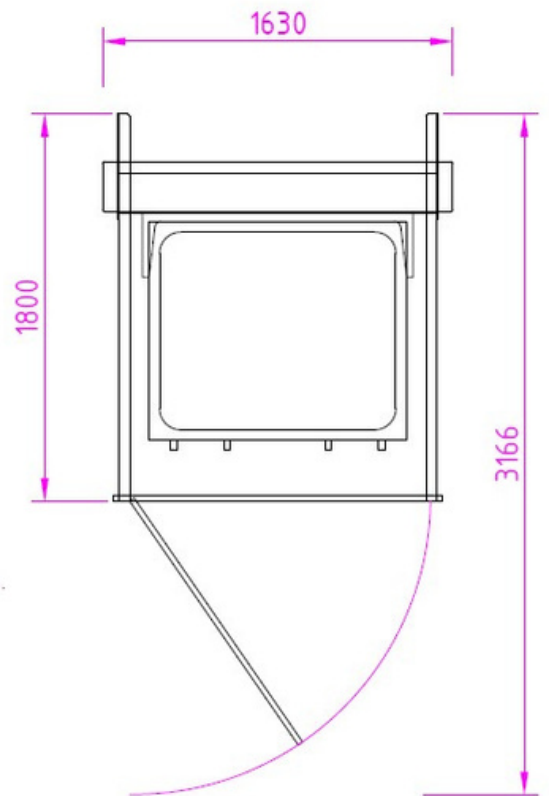
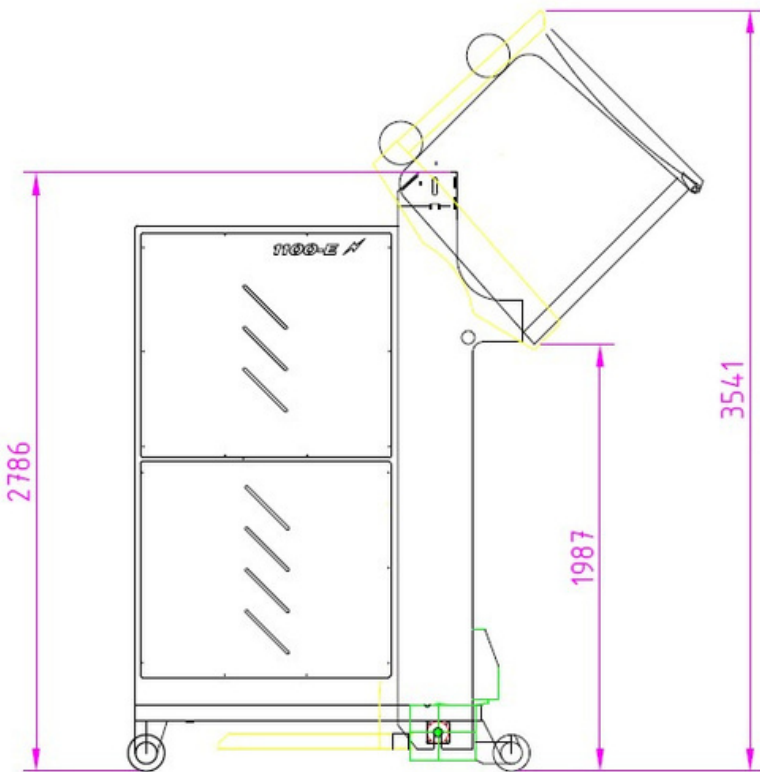
Info@glamworn.com.au

Full 12 months warranty

Full backup with local parts and service



1100-E ⚡[®]



www.glamworn.com.au

0422307127

